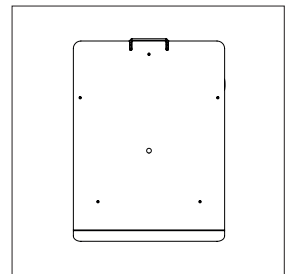
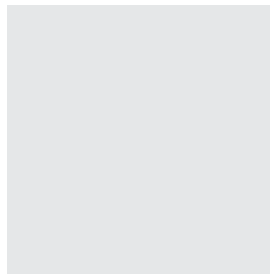
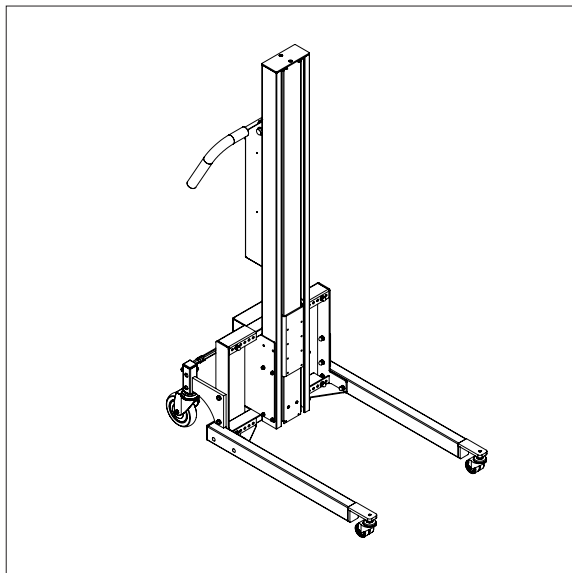
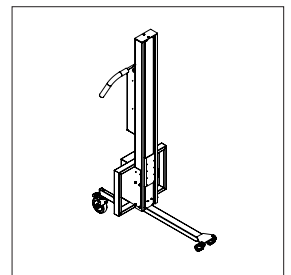
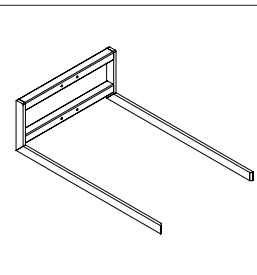
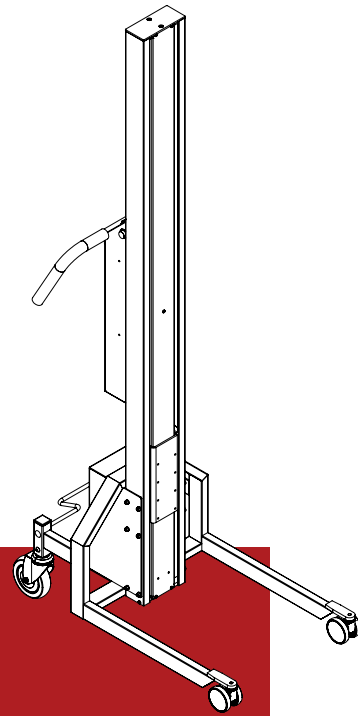


IMPACT 90 LIFTERS & TOOLS

- DRAWINGS & MEASUREMENTS

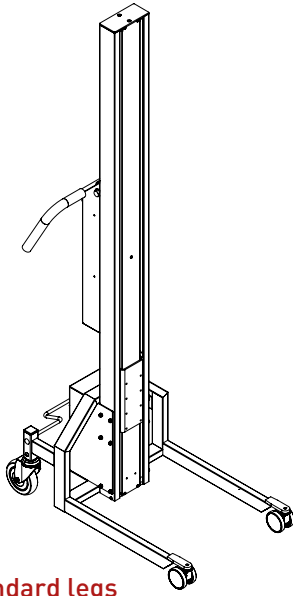


ASP bvba
Baanakkerweg 3
B-3060 Bertem

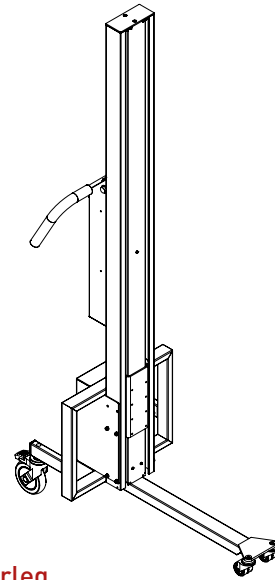
+32 (0)16 36 12 24
info@asp-online.be
www.asp-online.be

IMPACT 90

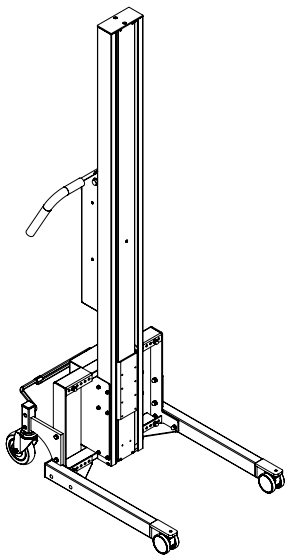
3 MAST HEIGHTS AND 21 LEG/WHEEL OPTIONS



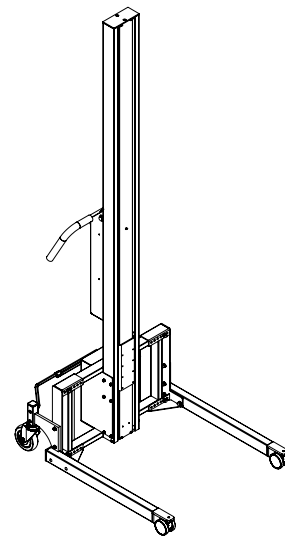
90 L/M/H Standard legs



90 L/M Centerleg



90 L/M/H FC - Flexlegs Type 1

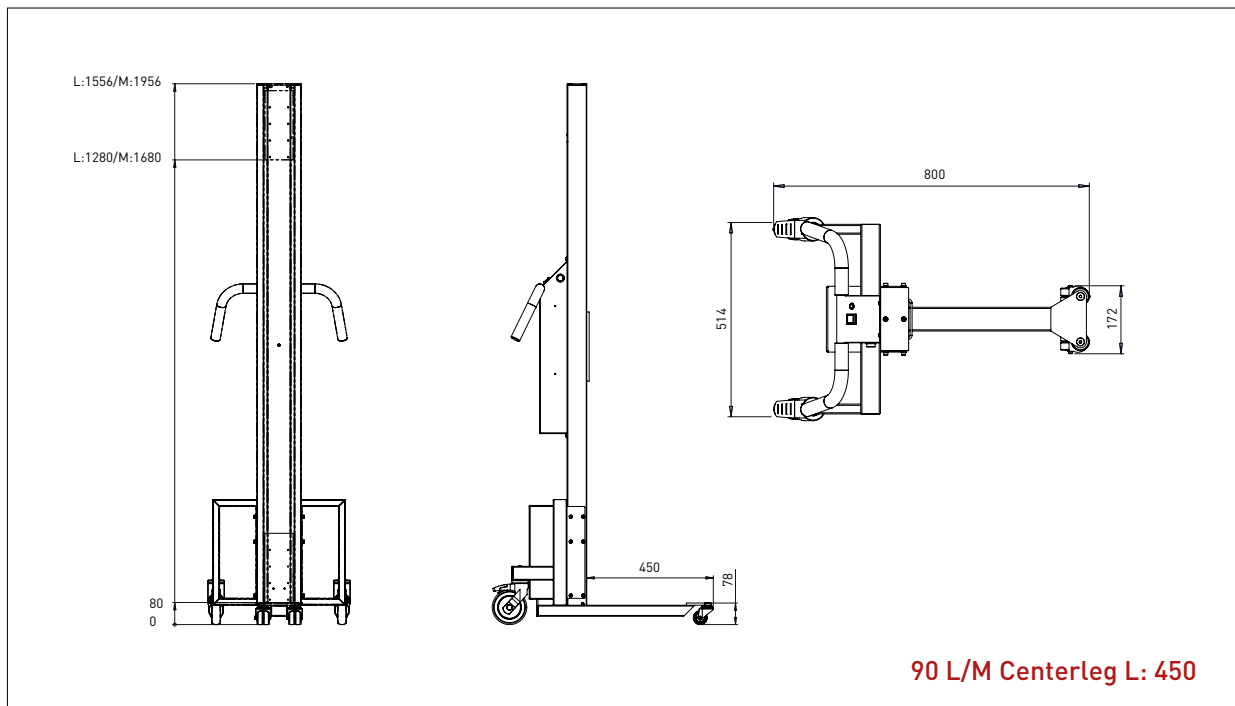
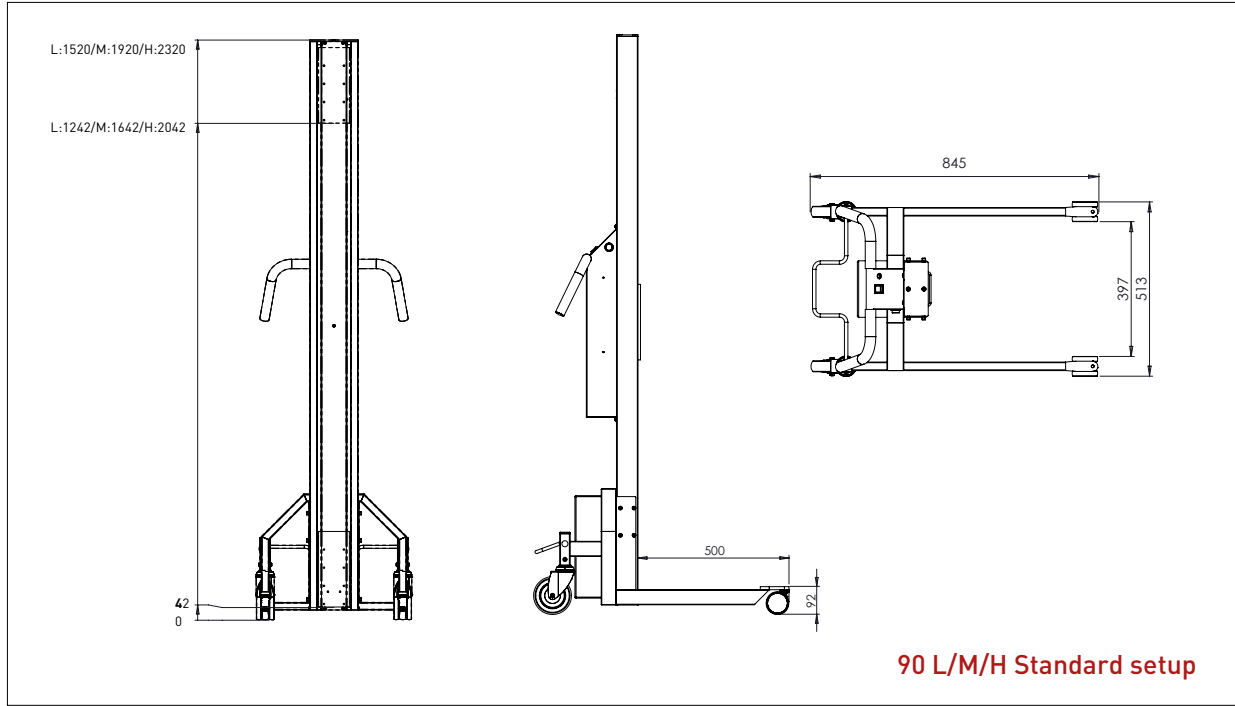


90 L/M/H FC - Flexlegs Type 2

IMPACT 90

LIFTERS - DRAWINGS & MEASUREMENTS

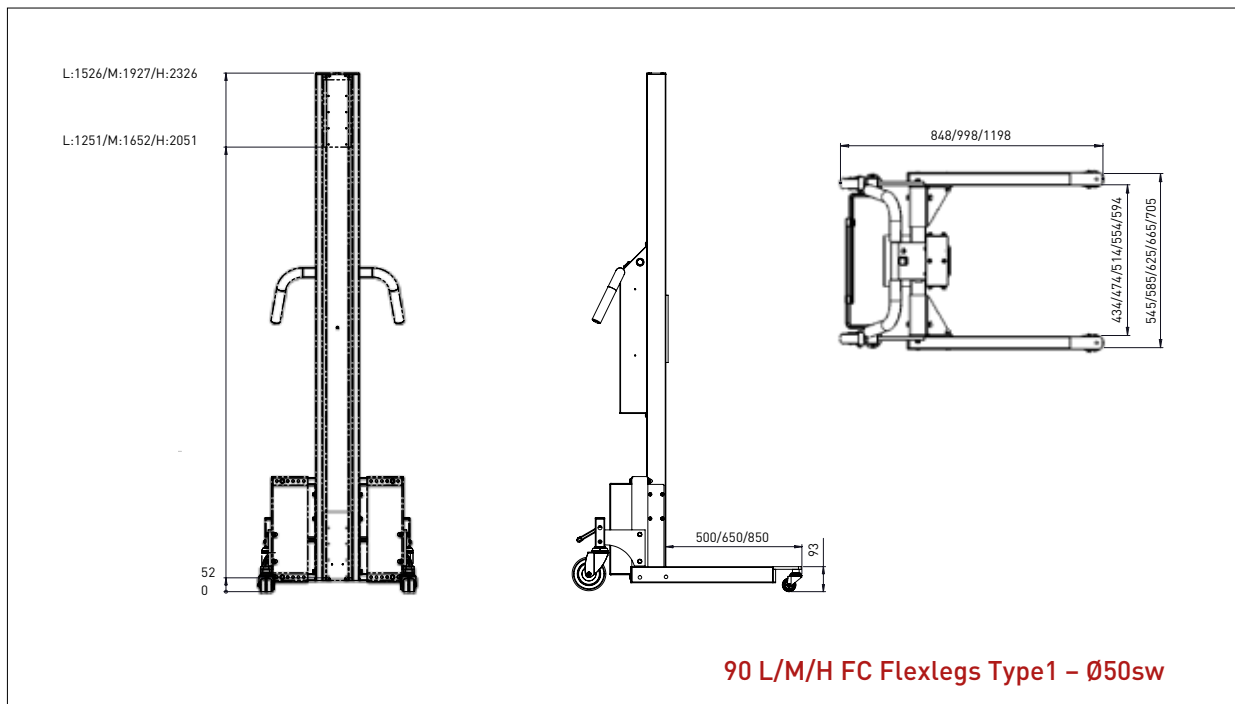
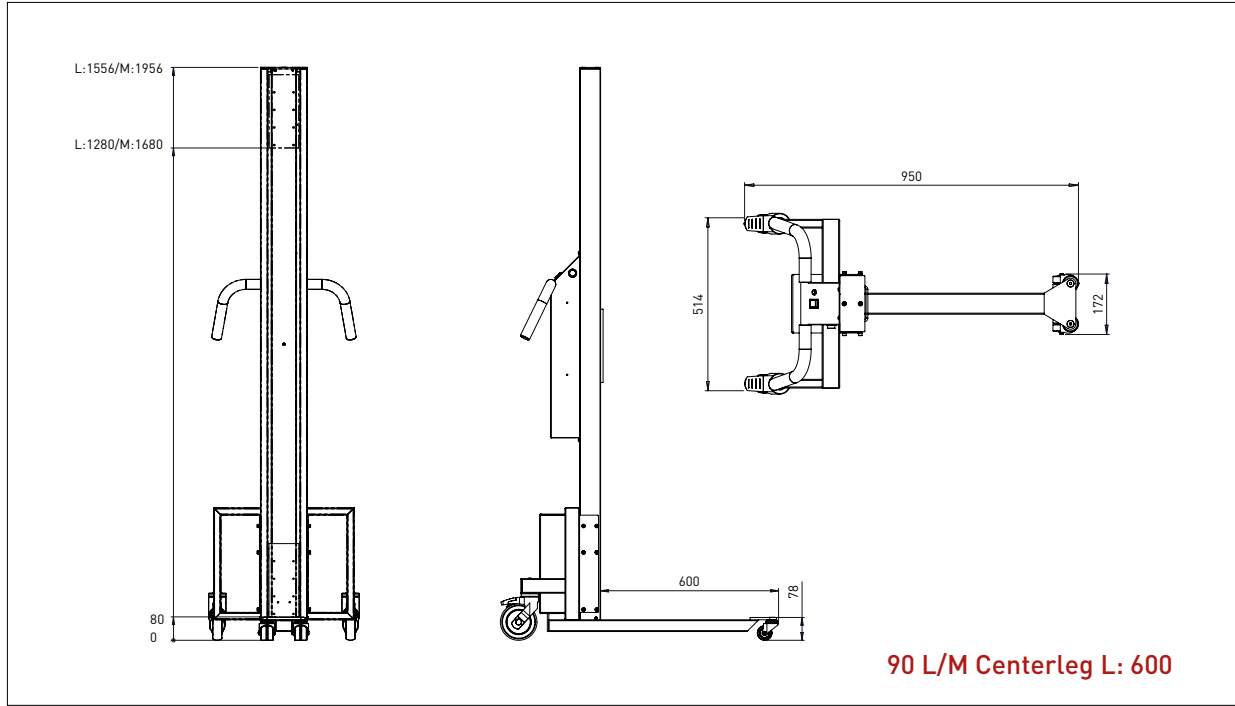
- All measurements in mm



IMPACT 90

LIFTERS - DRAWINGS & MEASUREMENTS

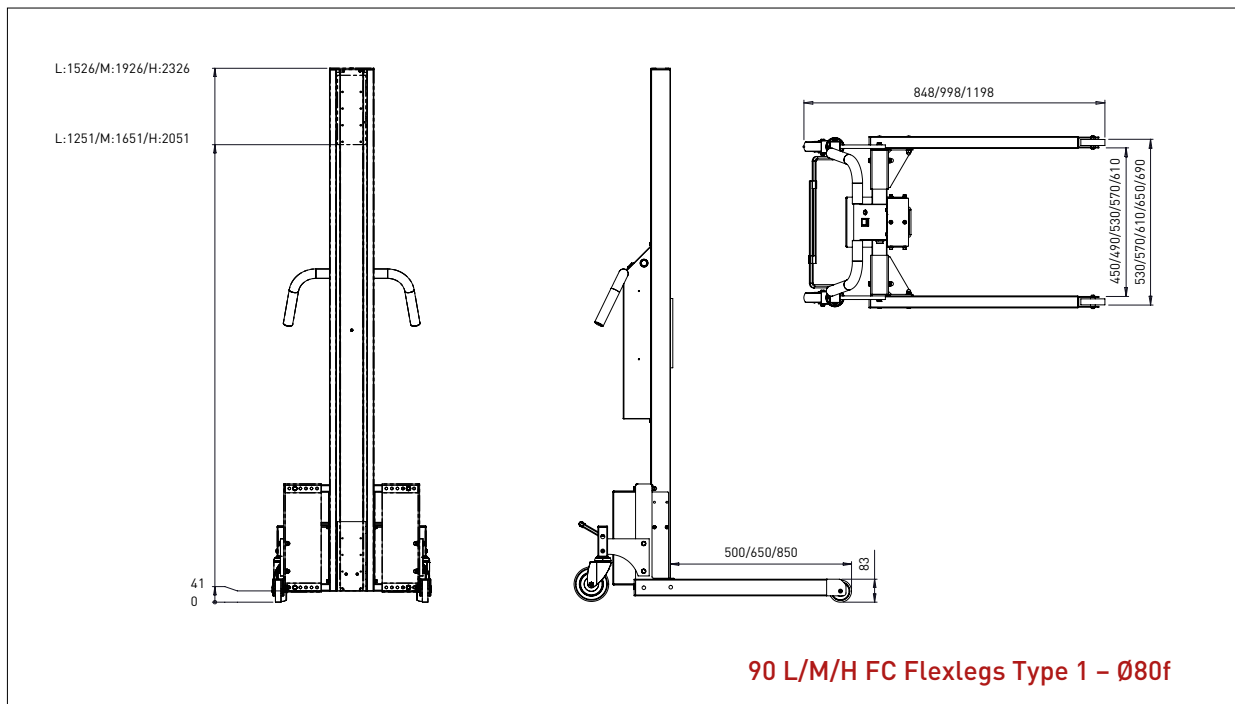
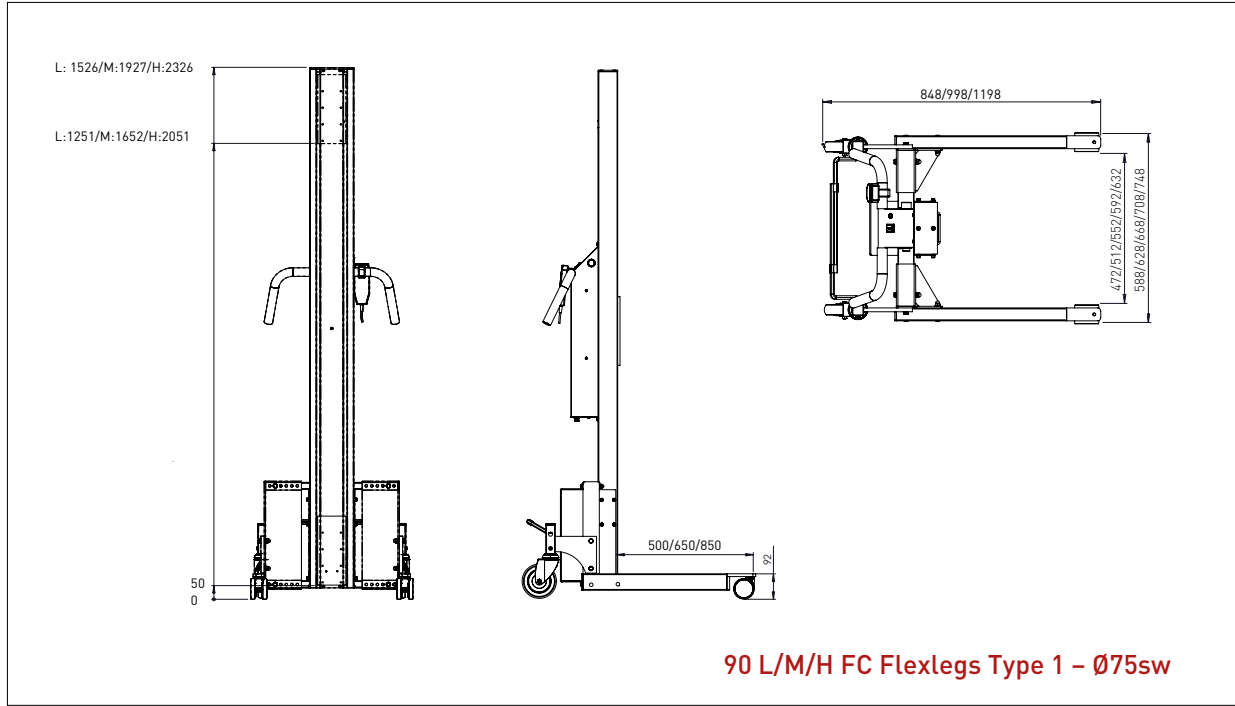
- All measurements in mm



IMPACT 90

LIFTERS - DRAWINGS & MEASUREMENTS

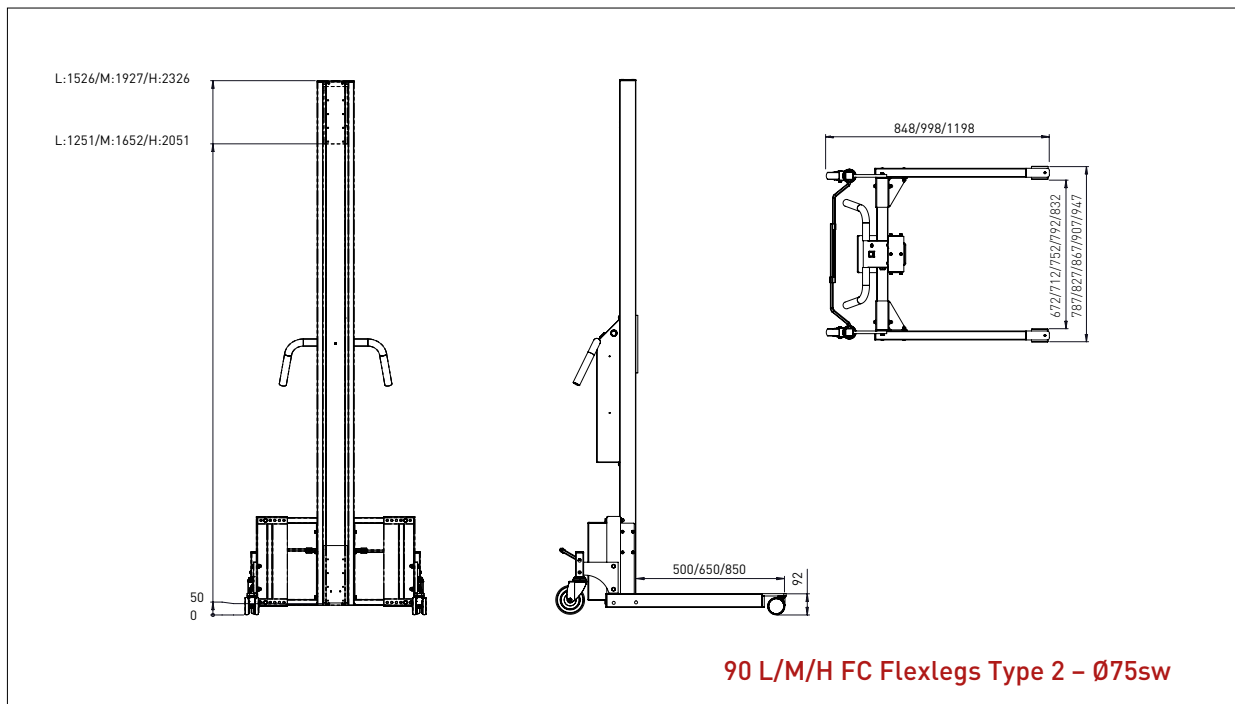
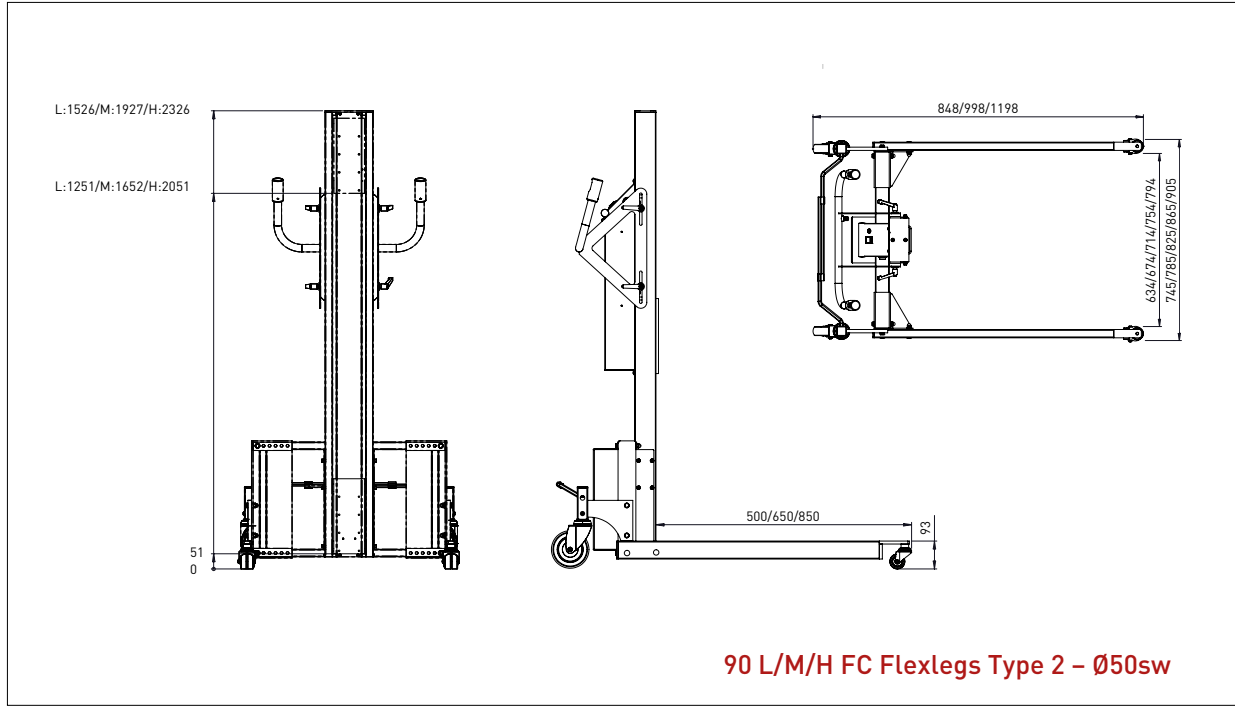
- All measurements in mm



IMPACT 90

LIFTERS - DRAWINGS & MEASUREMENTS

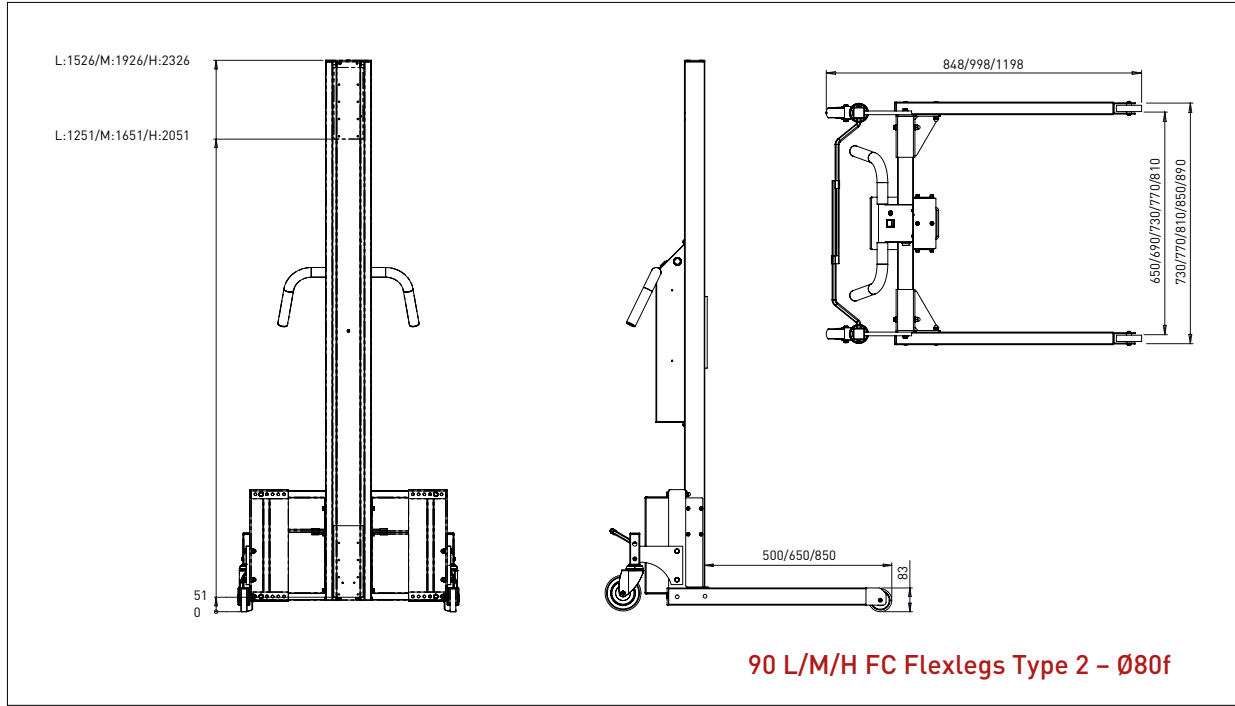
- All measurements in mm



IMPACT 90

LIFTERS - DRAWINGS & MEASUREMENTS

- All measurements in mm



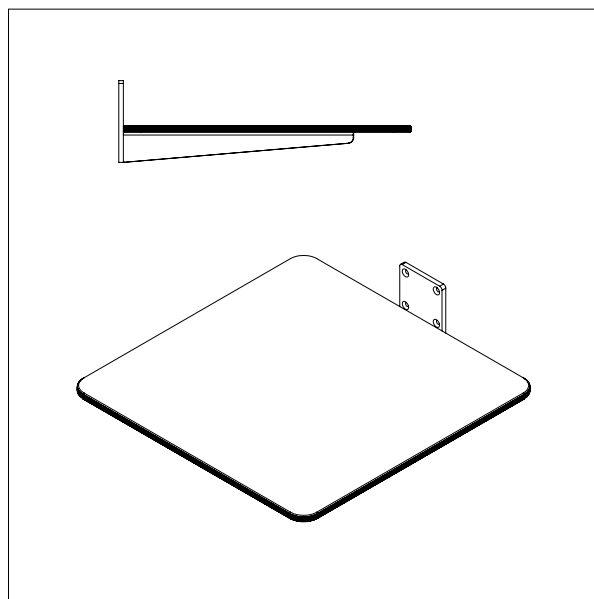
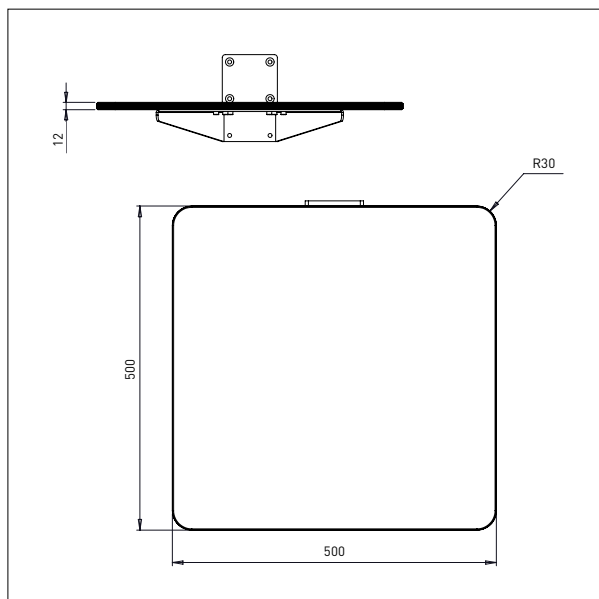
IMPACT 90 / TOOLS

PLATFORMS WOOD

- All measurements in mm

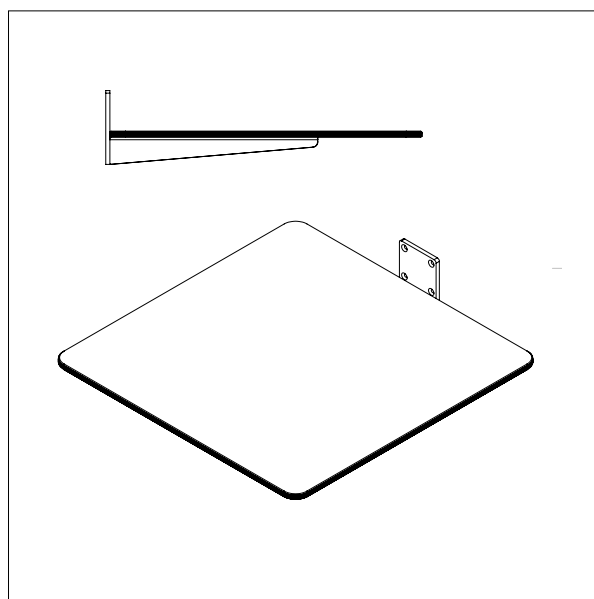
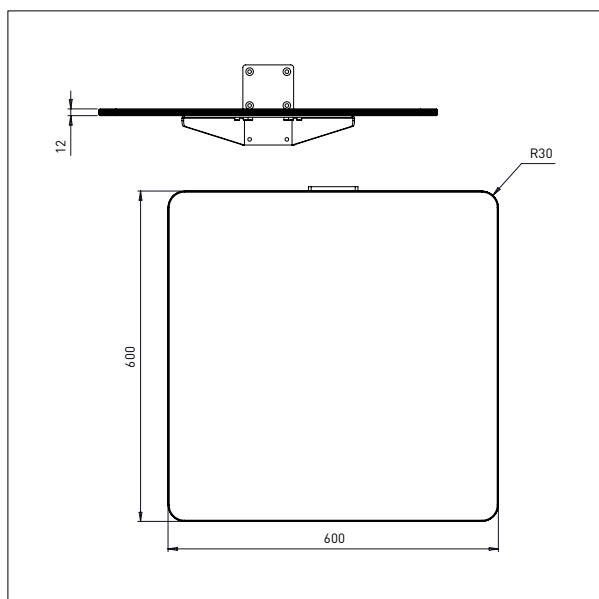
PLATFORM WOOD - W2

L x W: 500 x 500 mm



PLATFORM WOOD - W3

L x W: 600 x 600 mm



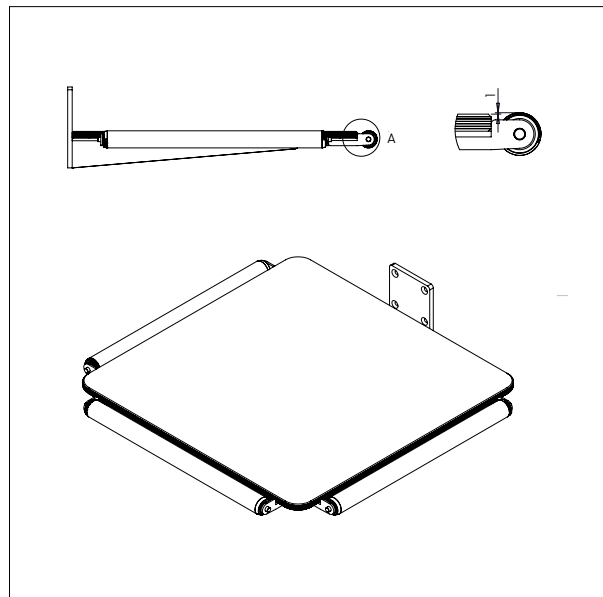
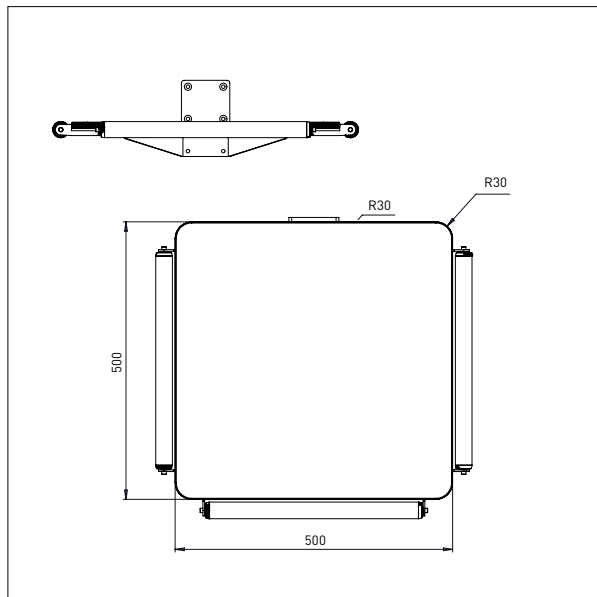
IMPACT 90 / TOOLS

PLATFORM WOOD

- All measurements in mm

PLATFORM WOOD WITH ROLLER - W4

L x W: 500 x 500 mm



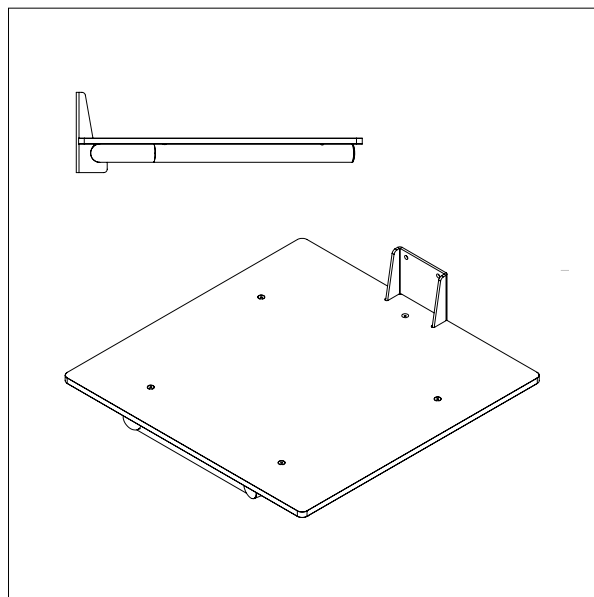
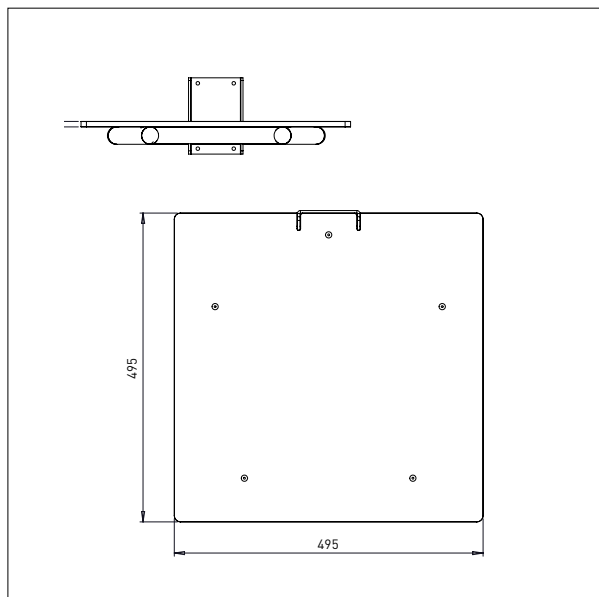
IMPACT 90 / TOOLS

PLATFORMS PEHD (PLASTIC)

- All measurements in mm

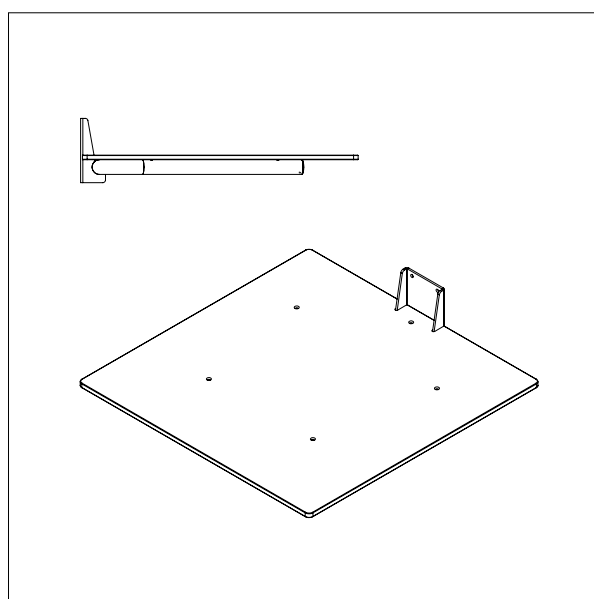
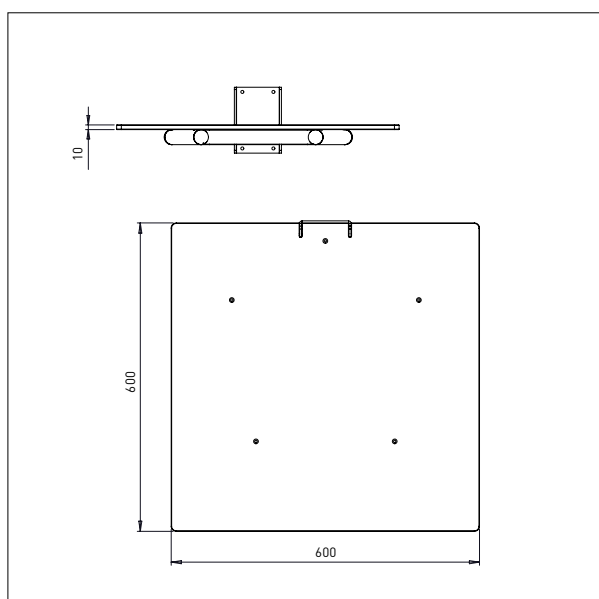
PLATFORM PEHD – KP1

L x W: 495 x 495 mm



PLATFORM PEHD – KP2

L x W: 600 x 600 mm



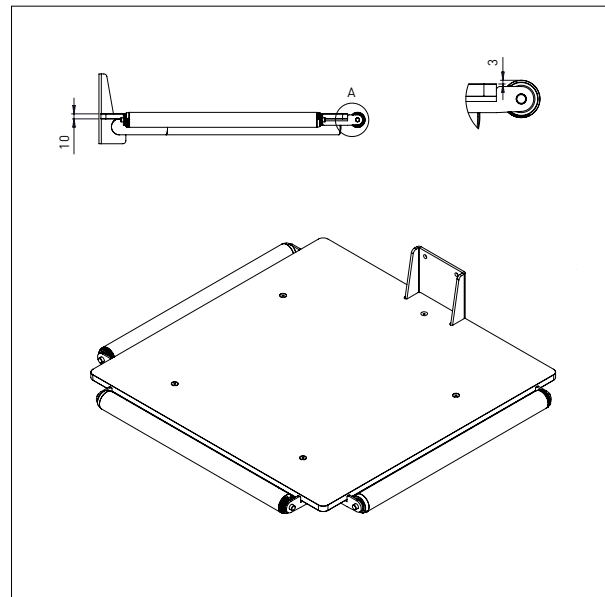
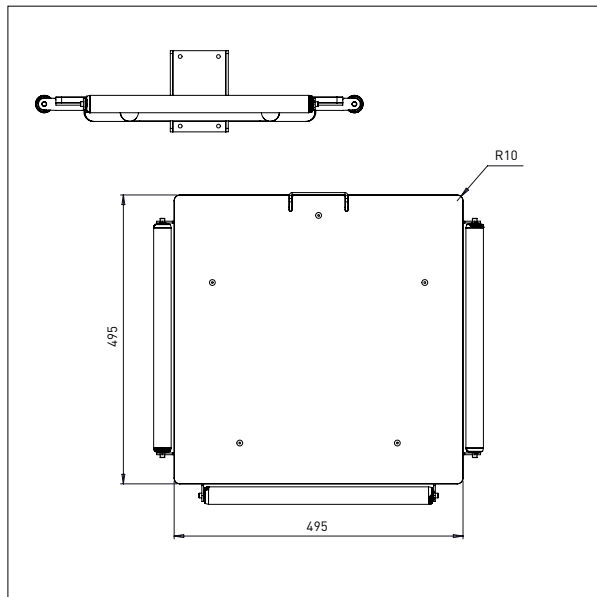
IMPACT 90 / TOOLS

PLATFORM PEHD (PLASTIC)

- All measurements in mm

PLATFORM PEHD WITH ROLLER – KP3

L x W: 495 x 495 mm



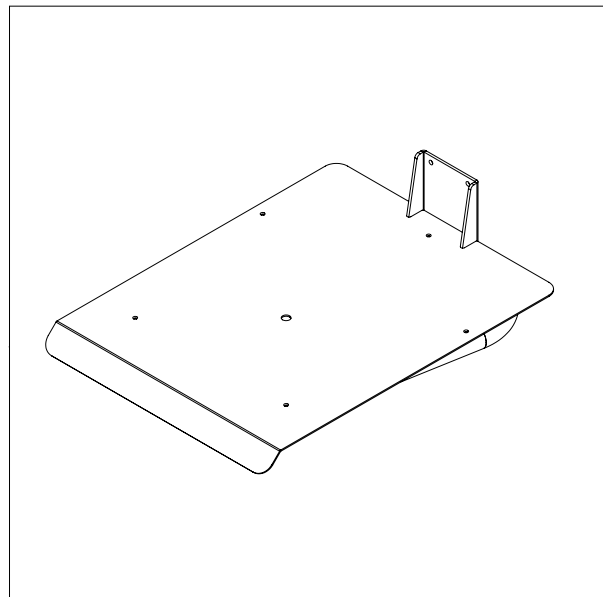
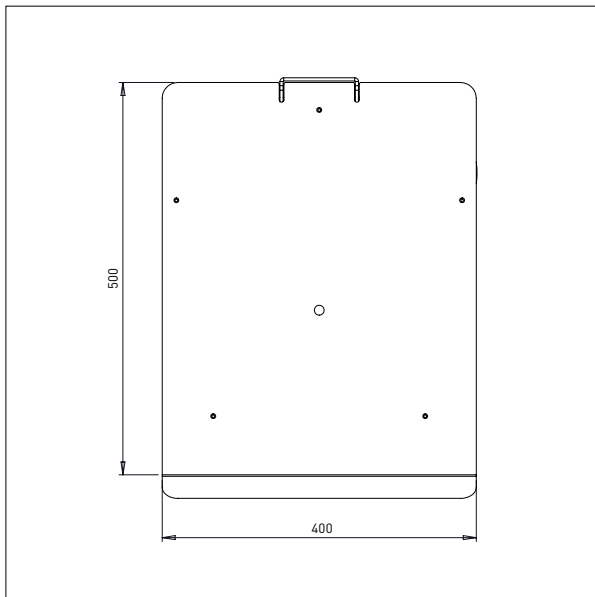
IMPACT 90 / TOOLS

PLATFORMS STAINLESS

- All measurements in mm

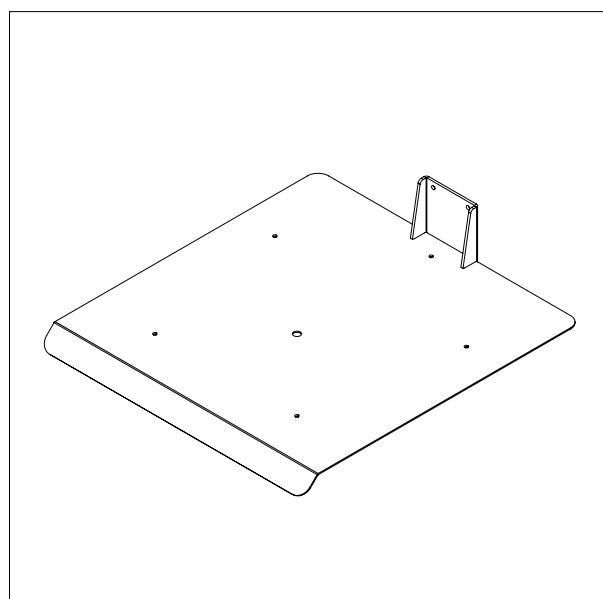
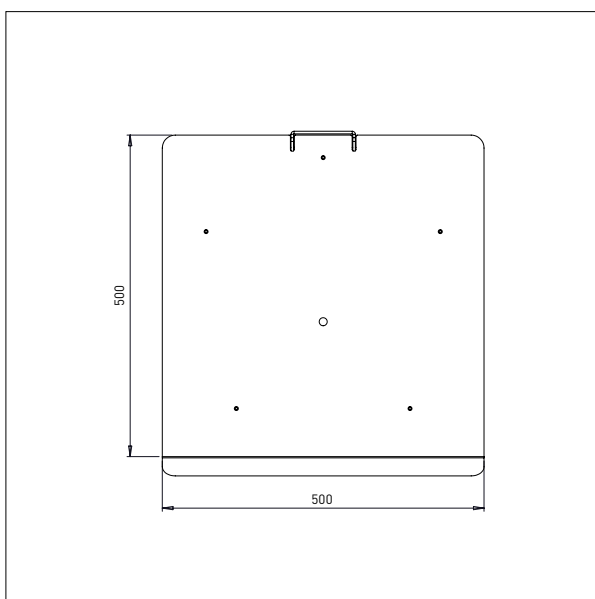
PLATFORM STAINLESS – EP1

L x W: 500 x 400 mm



PLATFORM STAINLESS – EP2

L x W: 500 x 500 mm



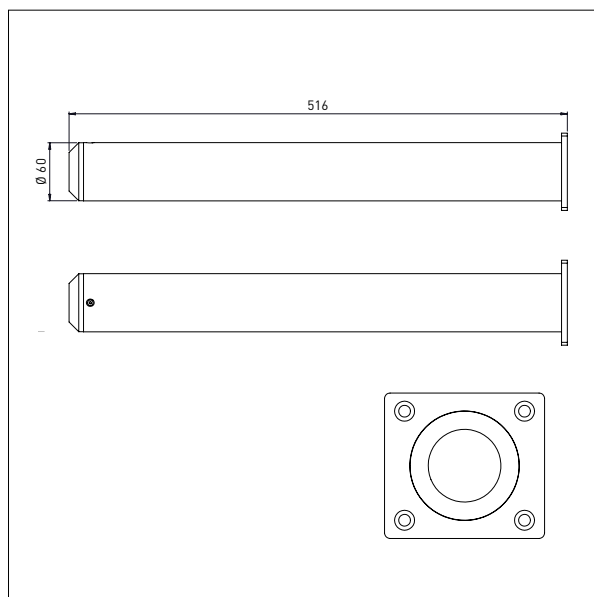
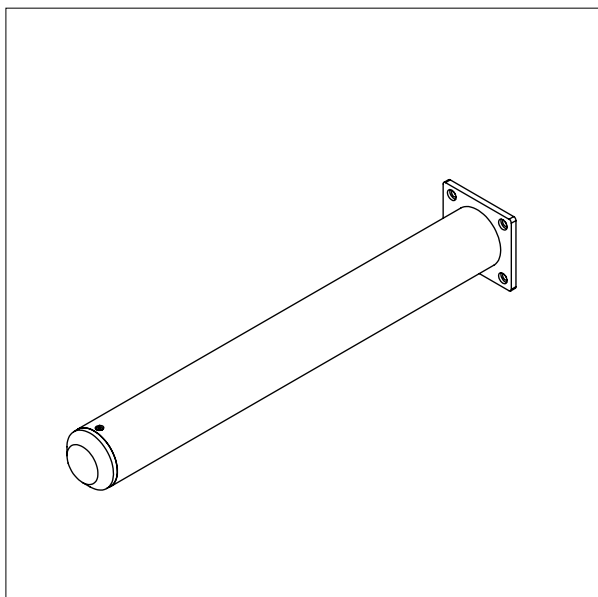
IMPACT 90 / TOOLS

BOOMS

- All measurements in mm

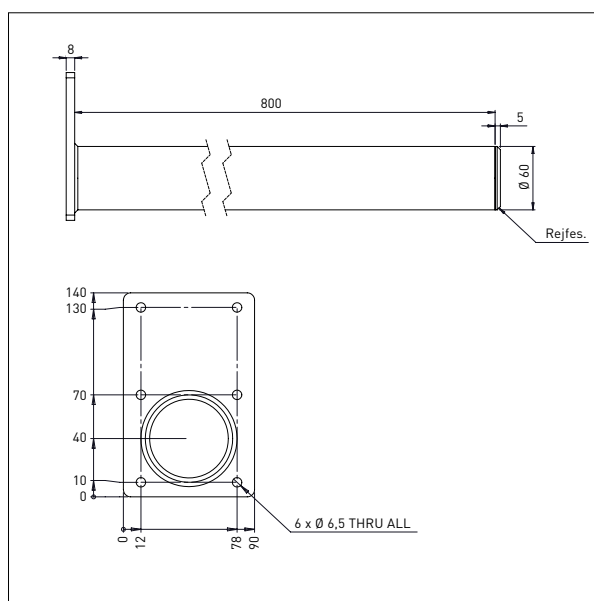
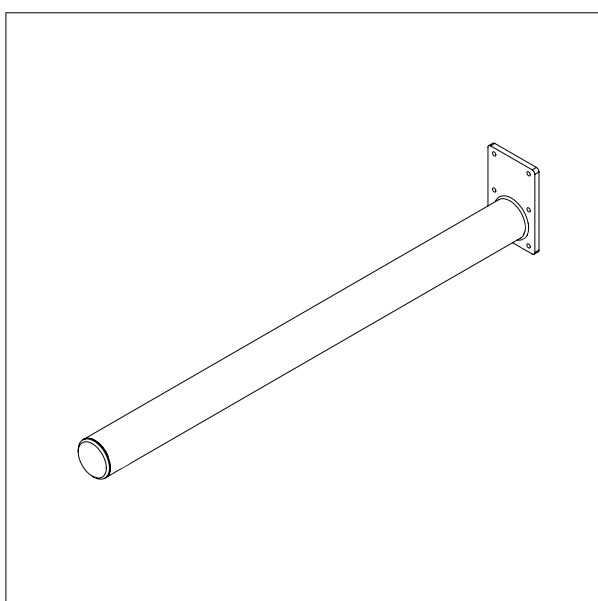
BOOM - D1

Ø x L: 60 x 500 mm



BOOM - D2

Ø x L: 60 x 800 mm



IMPACT 90 / TOOLS

DOUBLE BOOMS

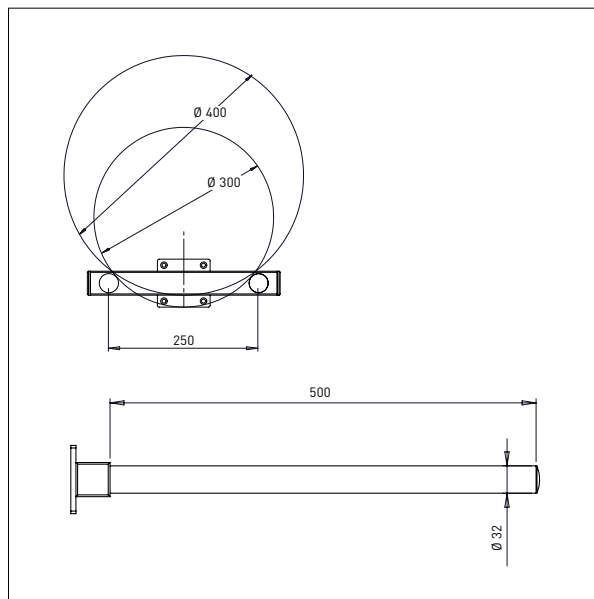
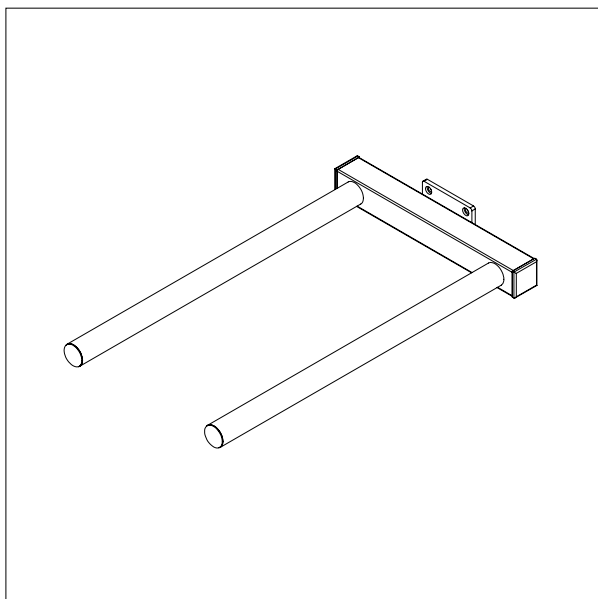
- All measurements in mm

DOUBLE BOOM – DD1

Ø x L x W: 32 x 500 x 250 mm

Min. width of reel: Ø 300 mm

Max. width of reel: Ø 400 mm

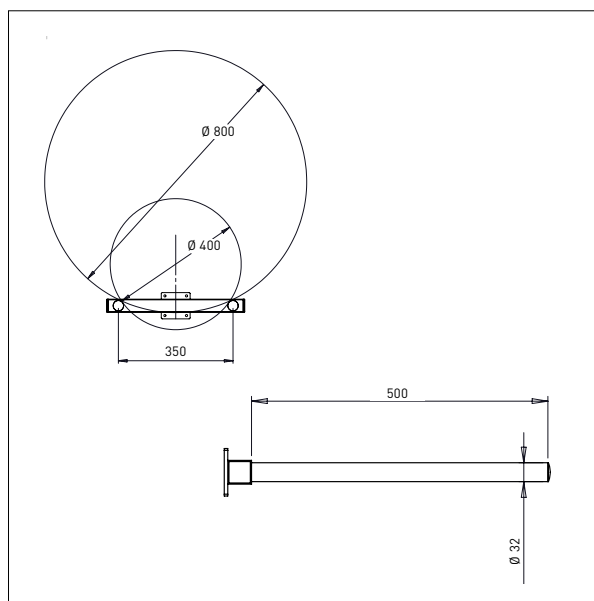
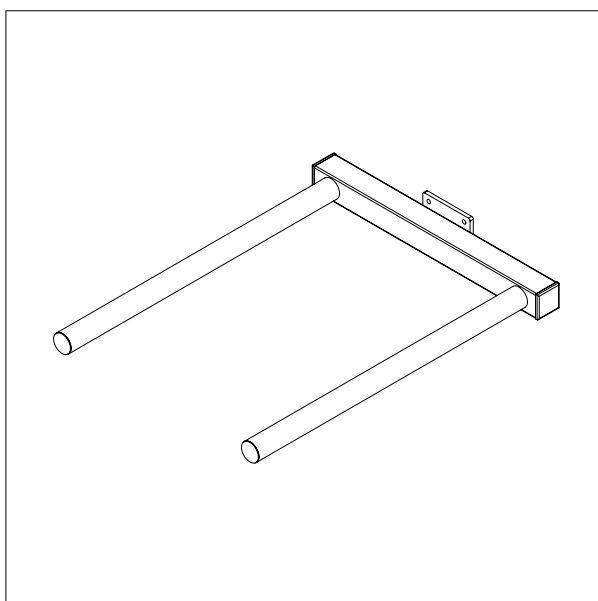


DOUBLE BOOM – DD2

Ø x L x W: 32 x 500 x 350 mm

Min. width of reel: Ø 400 mm

Max. width of reel: Ø 800 mm



IMPACT 90 / TOOLS

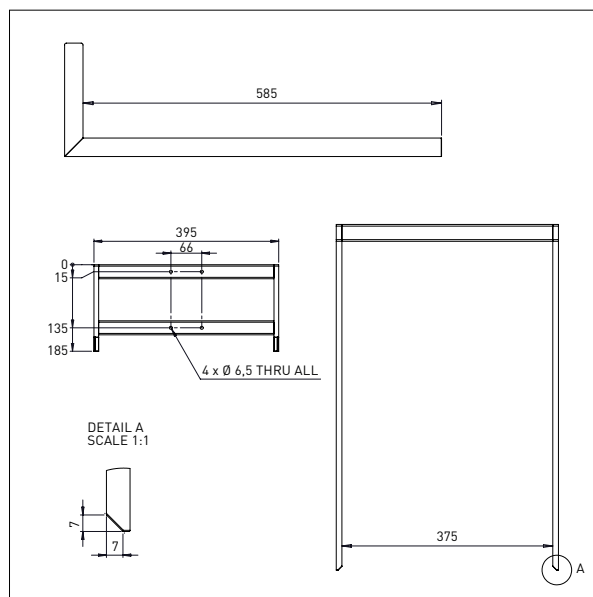
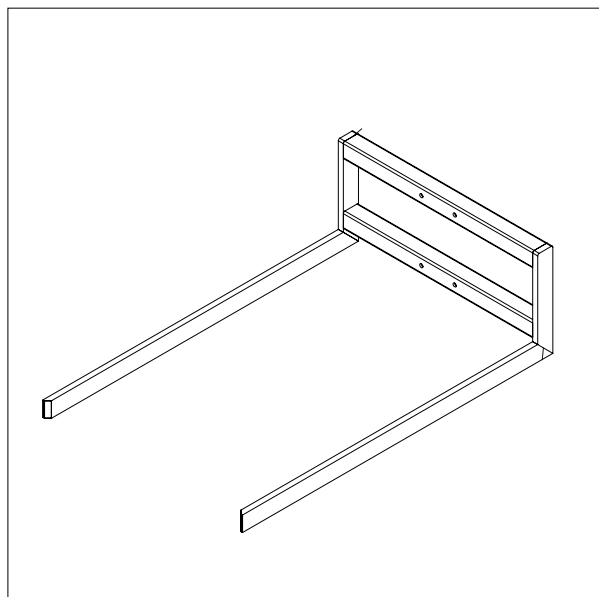
FORKS

- All measurements in mm

FORK - G1

L x W: 585 x 375 mm

For 600 x 400 mm boxes

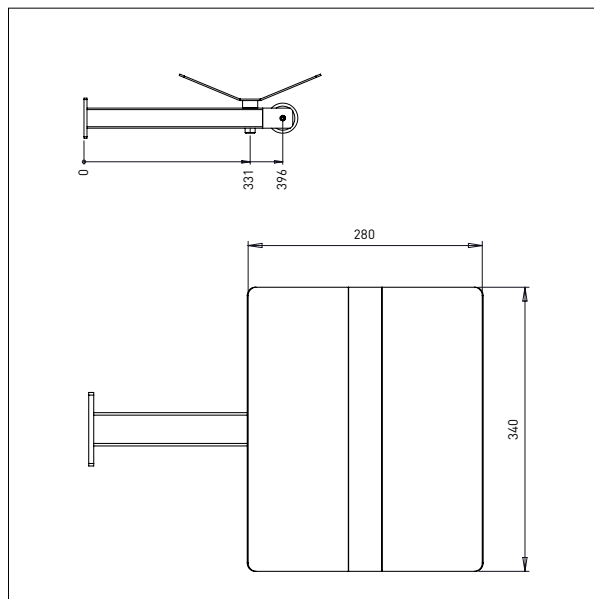
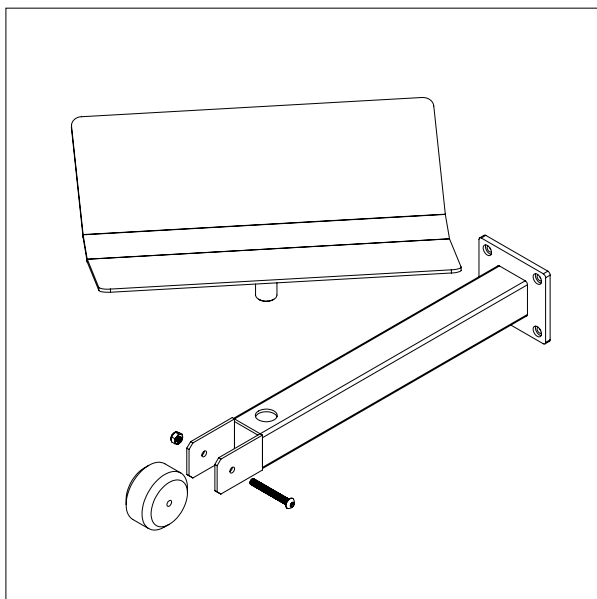


IMPACT 90 / TOOLS

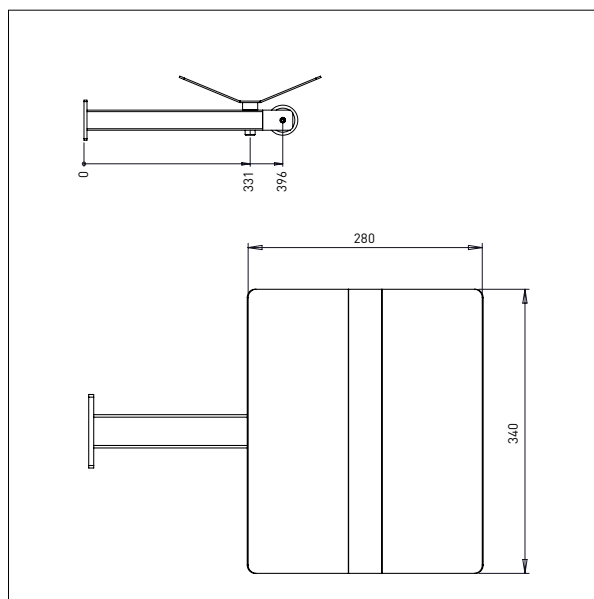
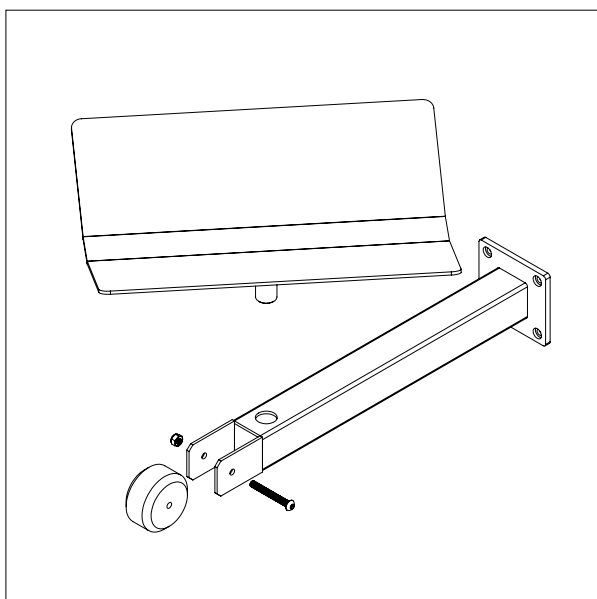
BOOM + V-BLOCK

- All measurements in mm

BOOM + V-BLOCK – DVB1



BOOM + V-BLOCK – DVB2 (STAINLESS STEEL)



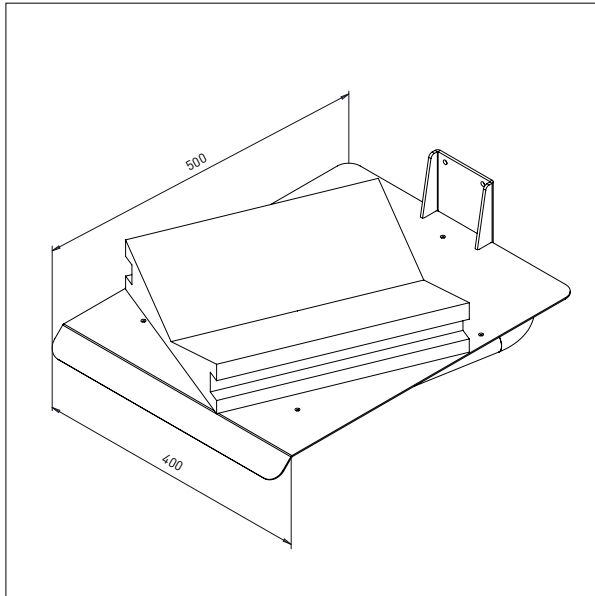
IMPACT 90 / TOOLS

PLATFORM + V-BLOCK

- All measurements in mm

PLATFORM + V-BLOCK - EPV

Platform: 500 x 400



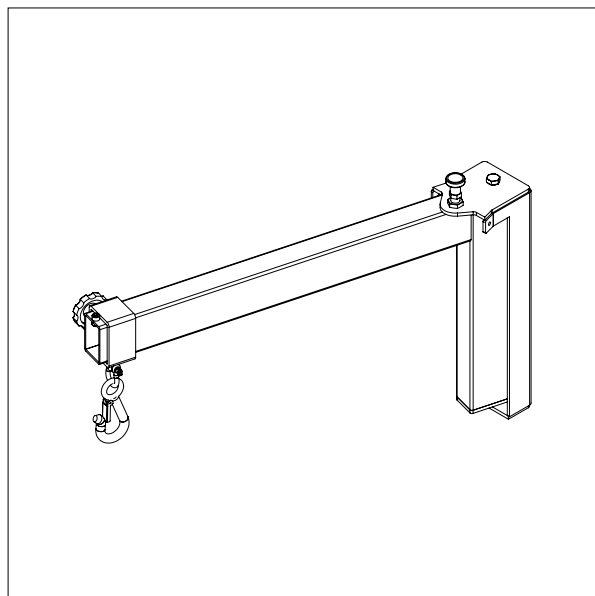
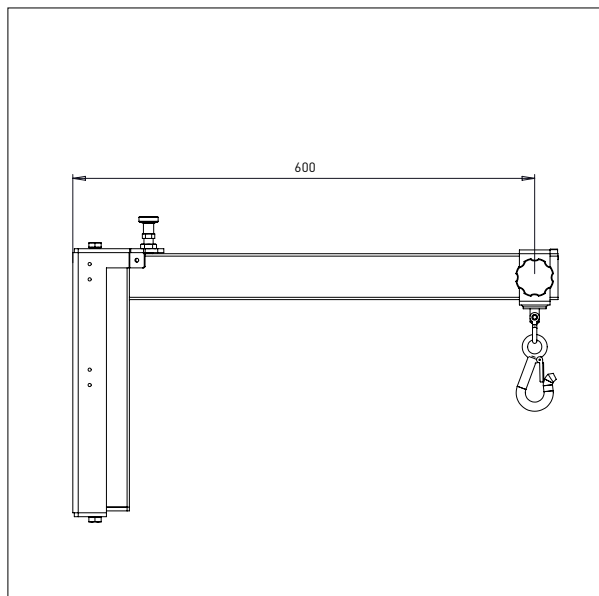
IMPACT 90 / TOOLS

CRANE ARMS

- All measurements in mm

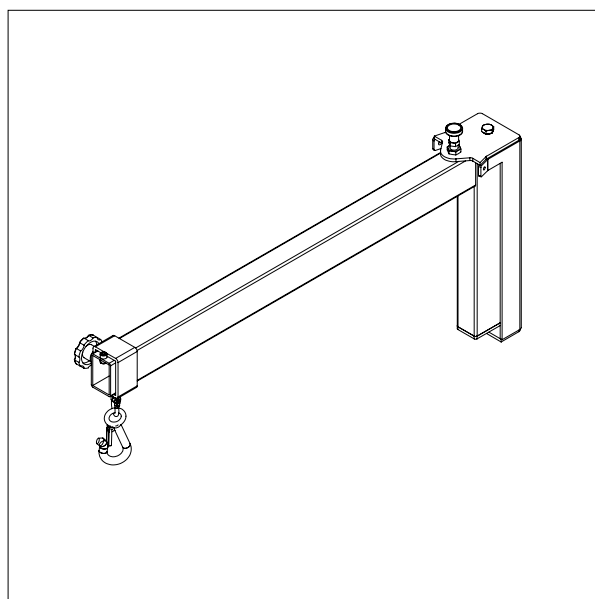
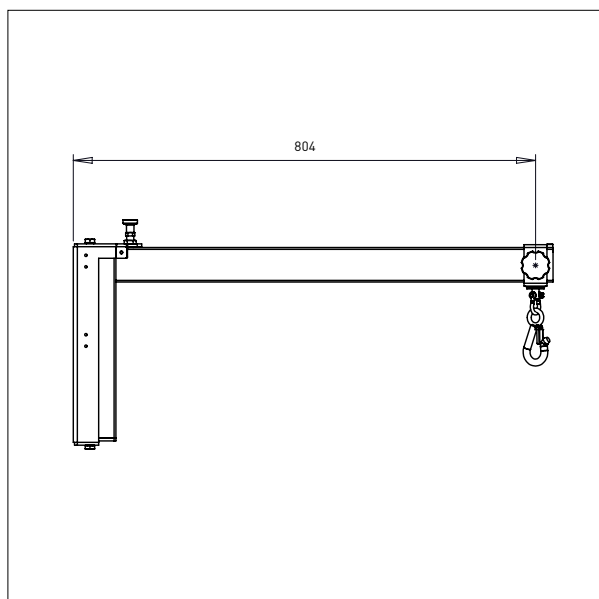
CRANE ARM - KA1

L: 600



CRANE ARM - KA2

L: 800

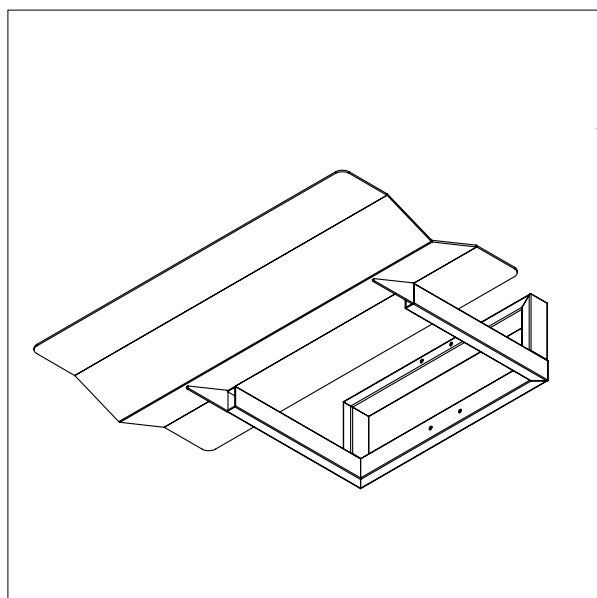
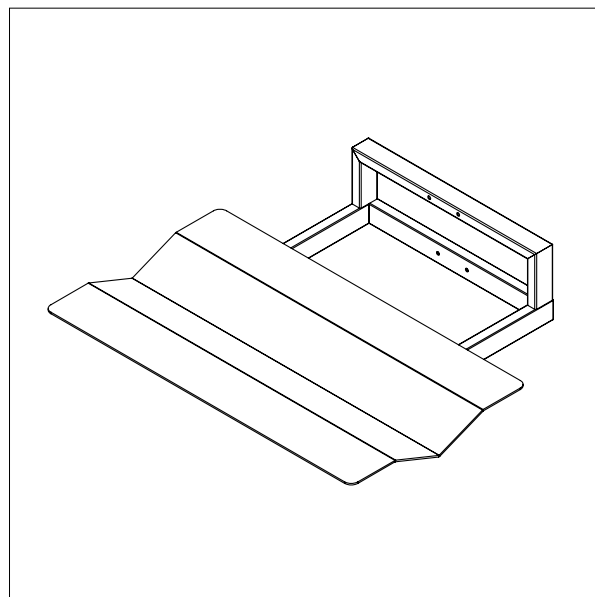
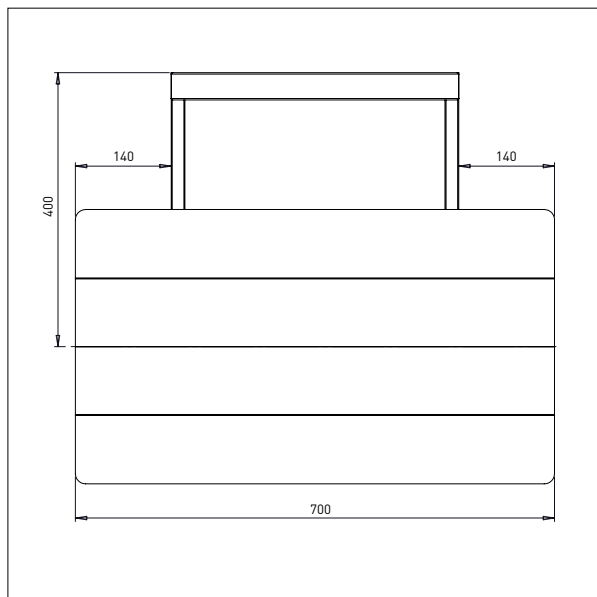


IMPACT 90 / TOOLS

WAVE

- All measurements in mm

FIXED V-BLOCK - WAVE

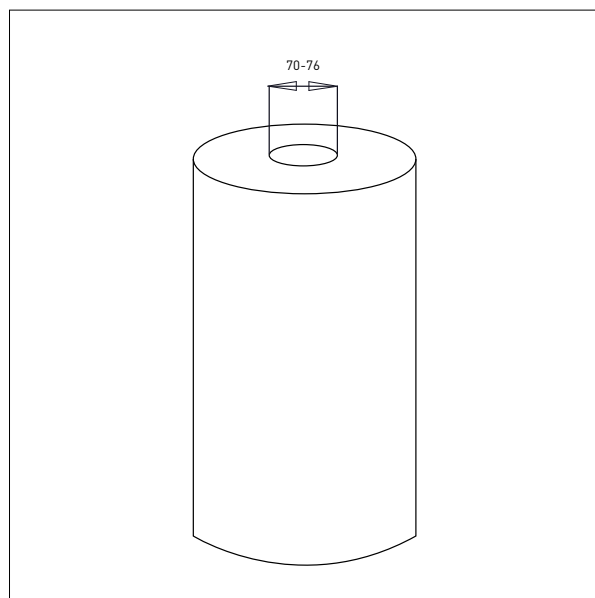
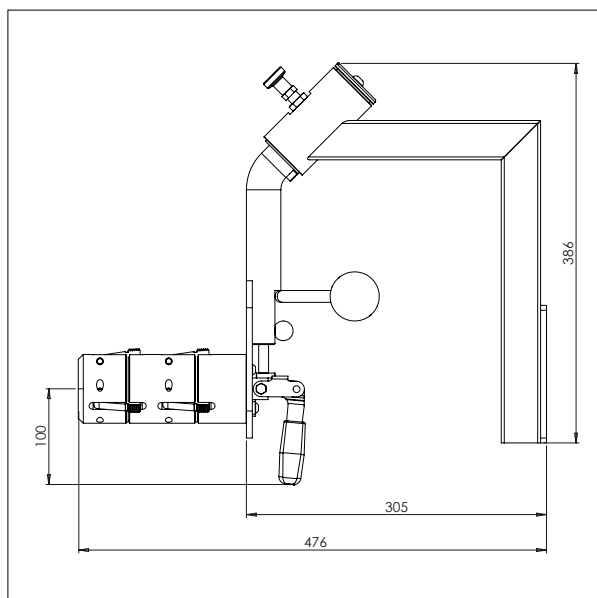
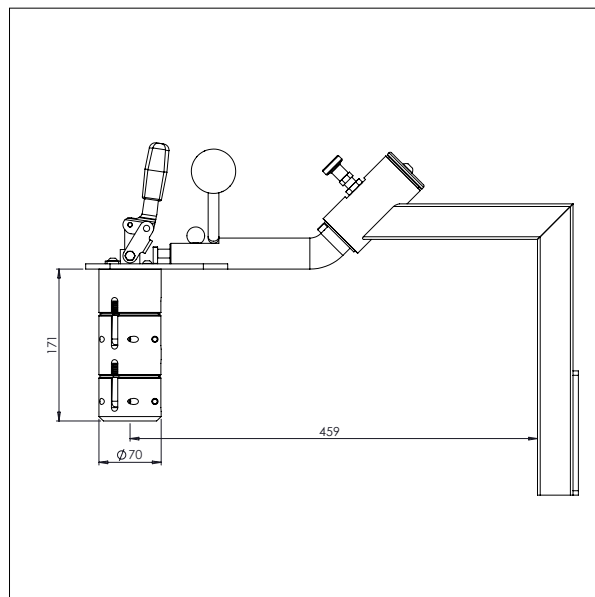
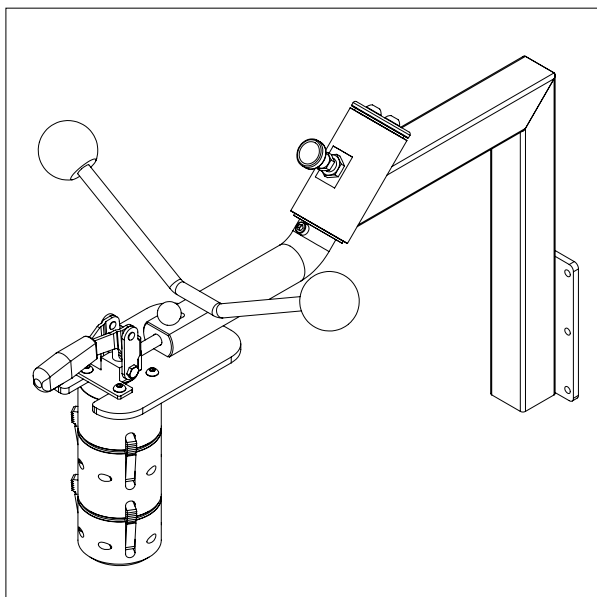


IMPACT 90 / TOOLS

REEL MANIPULATORS

- All measurements in mm

REEL MANIPULATOR - MRP1

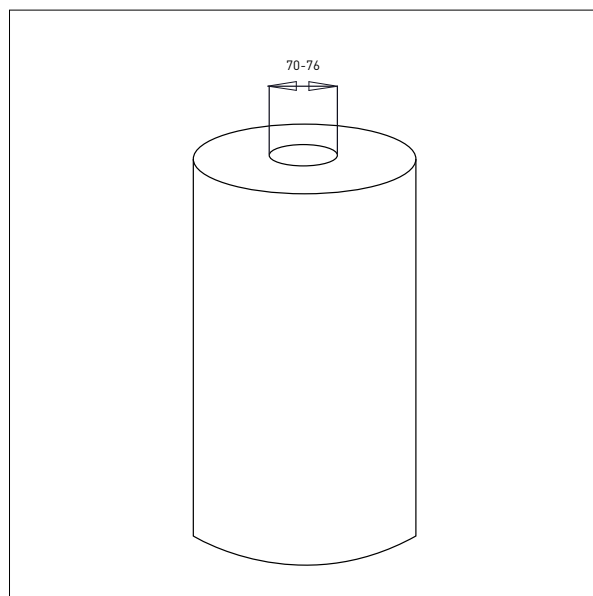
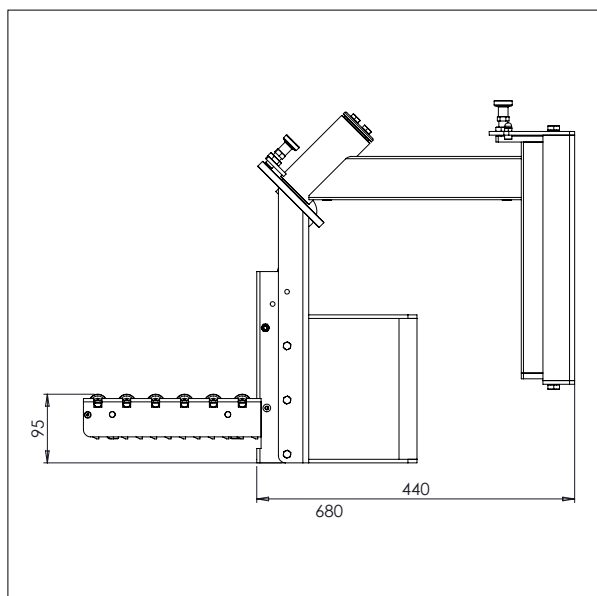
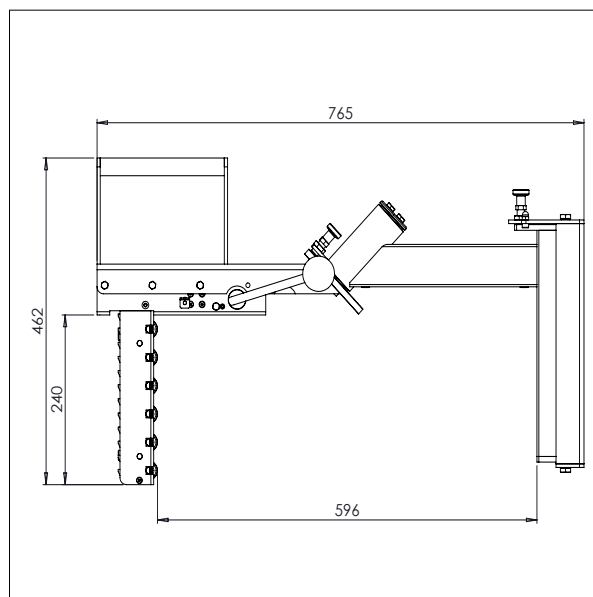
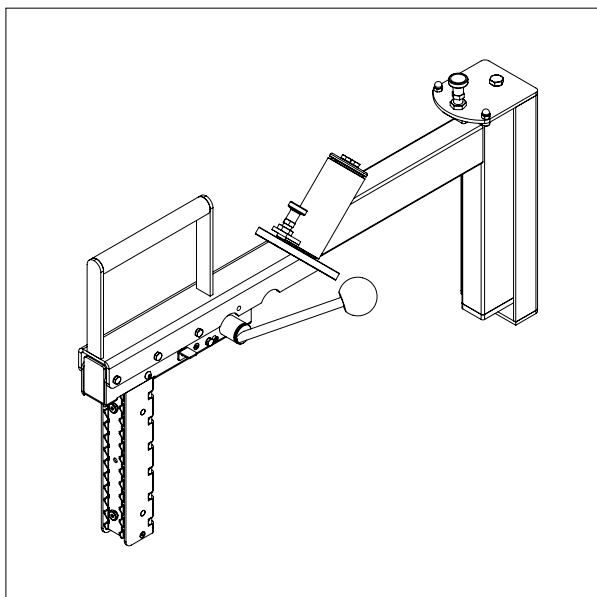


IMPACT 90 / TOOLS

REEL MANIPULATORS

- All measurements in mm

REEL MANIPULATOR - MRP2



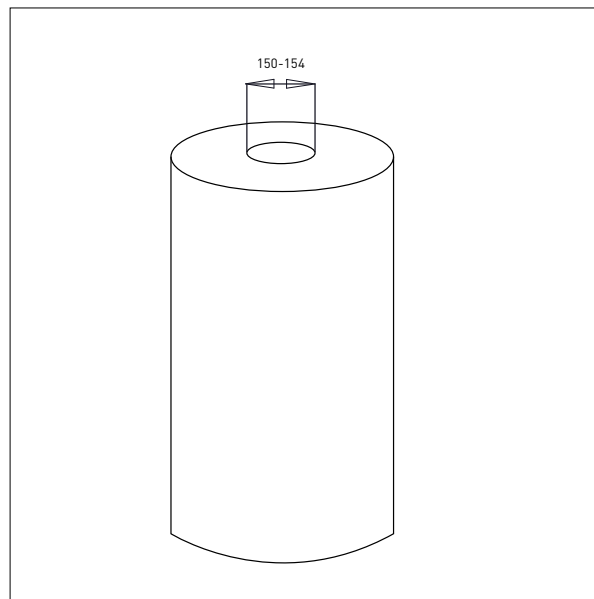
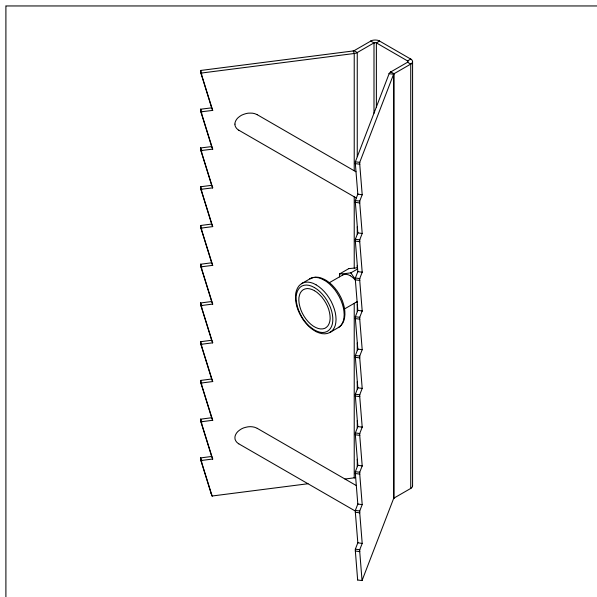
IMPACT 90 / TOOLS

MANDRIL ENLARGERS

- All measurements in mm

MANDRIL ENLARGER - CL1

For: $\varnothing 152$ mm/6"



MANDRIL ENLARGER - CL2

For: $\varnothing 254$ mm/10"

